

PLAN VIEW

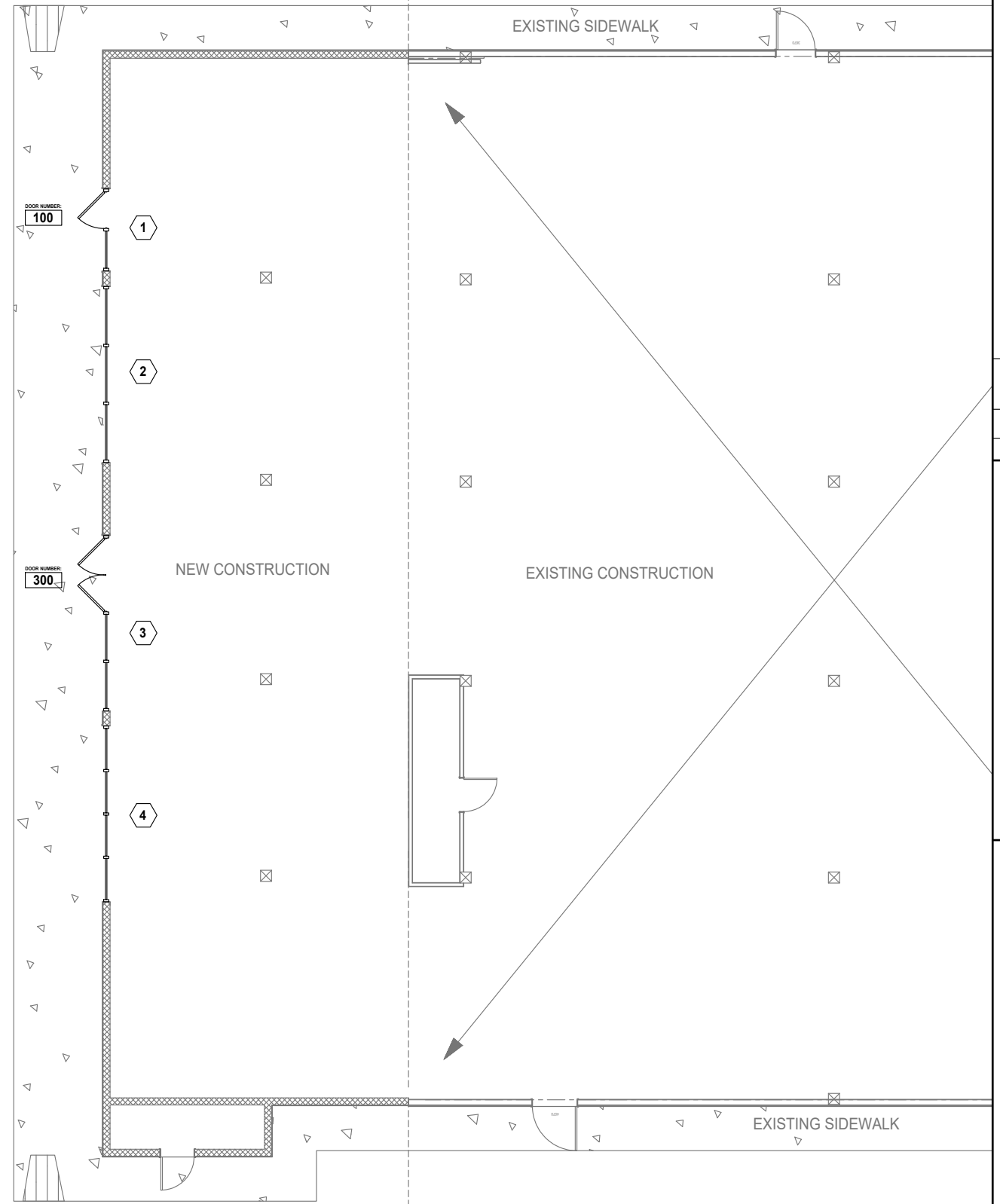
SCALE: 1" = 10'-0"
 ARCH REF: NFP/A-5



01

GROUND FLOOR

OLDCASTLE 5750 IMPACT ALUMINUM STOREFRONT
 OLDCASTLE MSD-375 IMPACT ALUMINUM ENTRANCE

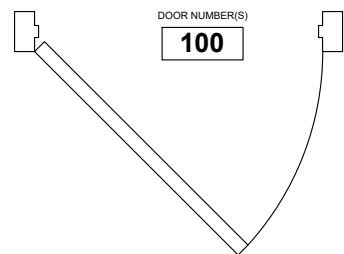
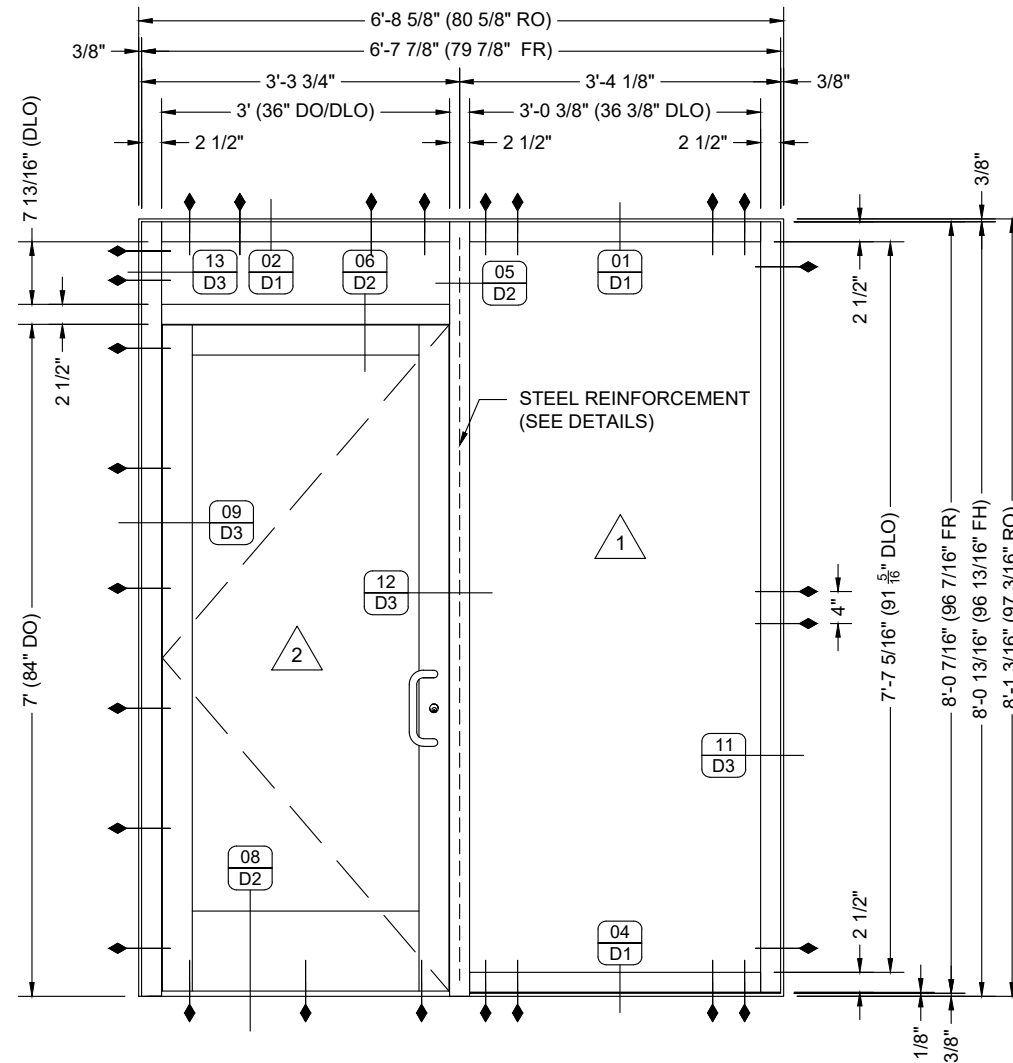


NO.	DATE	BY	DESCRIPTION
4	09/07/22	fp	Revisions to Add Relocate Door #300 on Elevation #3
3	08/22/22	fp	Revisions to Add Relocate Door #300 on Elevation #3
2	08/11/22	fp	Revisions to Add Door #400 to Elevation #4
1	08/09/22	fp	First Submittal

AMERICAN GLASS MASTERS
 3810 APOLLO RD, CORPUS CHRISTI, TX 78413
 WORK (361) 814-6000 FAX (361) 814-0775

PROJECT: 5959 S STAPLES
NEW SHELL BUILDING
 ARCHITECT: ZACH M. KNIGHT JR., ARCH, PLAN, CONST
 (361) 853-8620
 GENERAL CONTRACTOR: ZACH M. KNIGHT
 (361) 778-6678

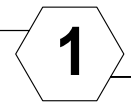
PROJECT NO.	AGM-2206-03
DRAWN BY	fp
DATE	09/07/22
SCALE	NTS
DRAWING	FLOOR PLANS
SHEET	P1



- HARDWARE**
- 7284-J-HR (PUSH-PULL, KEY LOCK-THUMB TURN, BUTT HINGE) FR3
 - 7284-JFT-HR-OB PR
 - 3884-A-HR (PUSH-PULL, KEY LOCK-THUMB TURN, BUTT HINGE) FR1
 - 3684-AFT-HR-OB
 - DOOR CLOSERS W/DROP PLATE 1604

ELEVATION

QUANTITY: 0#
 SCALE: 1/2" = 1'-0"
 ARCH REF: NFP/A-5
 EE2/A-6



1 EXT STOREFRONT

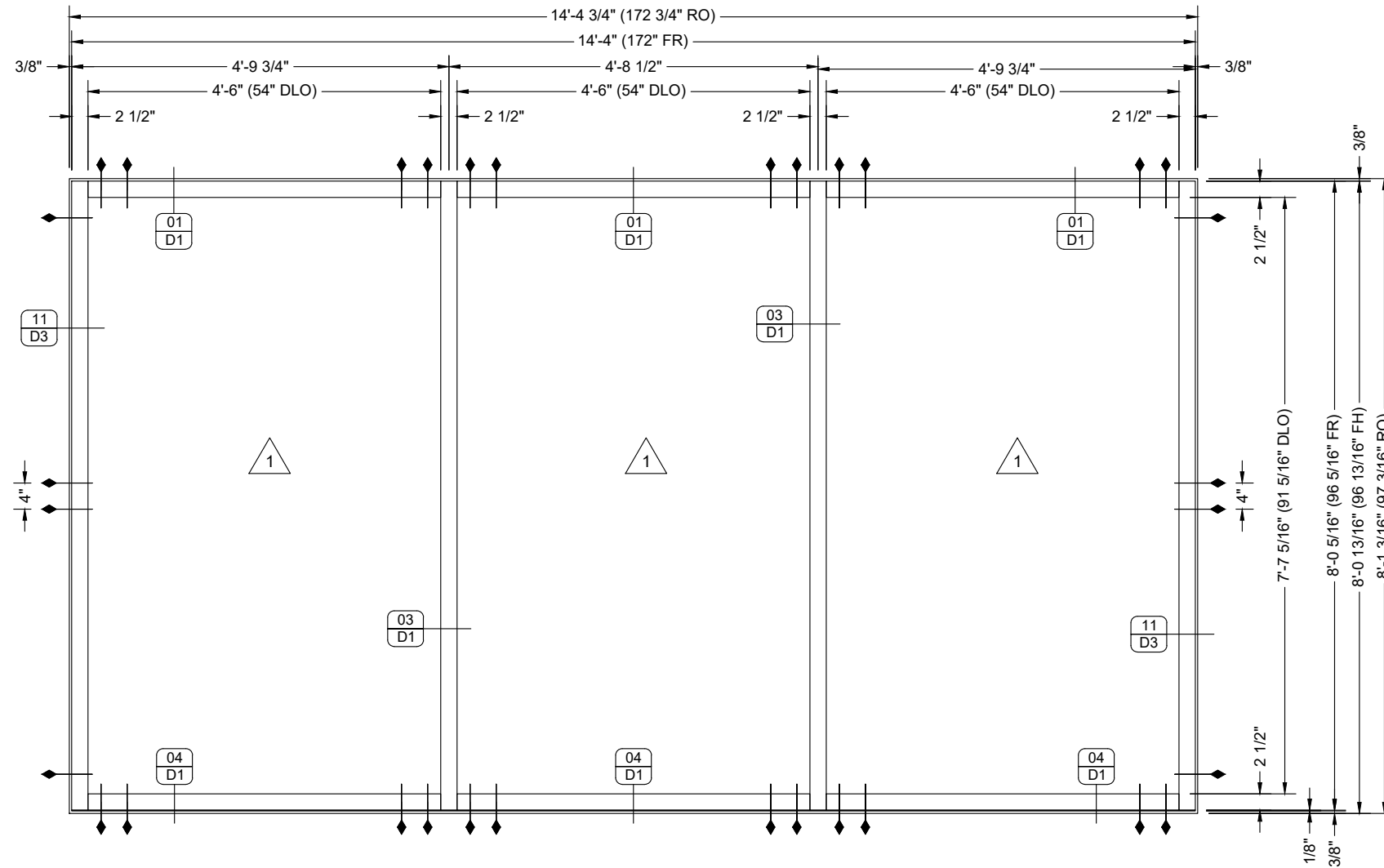
OLDCASTLE 5750 IMPACT ALUMINUM STOREFRONT
 OLDCASTLE MSD-375 IMPACT ALUMINUM ENTRANCE

NO.	DATE	DESCRIPTION
4	09/07/22	Revisions to Add Relocate Door #300 on Elevation #3
3	08/22/22	Revisions to Add Relocate Door #300 on Elevation #3
2	08/11/22	Revisions to Add Door #400 to Elevation #4
1	08/09/22	First Submittal

AMERICAN GLASS MASTERS
 3810 APOLLO RD, CORPUS CHRISTI, TX 78413
 WORK (361) 814-6000 FAX (361) 814-0775

PROJECT: 5959 S STAPLES
NEW SHELL BUILDING
 ARCHITECT: ZACH M. KNIGHT JR, ARCH, PLAN, CONST
 (361) 853-8620
 GENERAL CONTRACTOR: ZACH M. KNIGHT
 (361) 778-6678

PROJECT NO.	AGM-2206-03
DRAWN BY	fp
DATE	09/07/22
SCALE	1/2" = 1'-0"
DRAWING	ELEVATIONS
SHEET	E1



ELEVATION

QUANTITY: 0#
 SCALE: 1/2" = 1'-0"
 ARCH REF: NFP/A-5
 EE2/A-6

2

EXT STOREFRONT

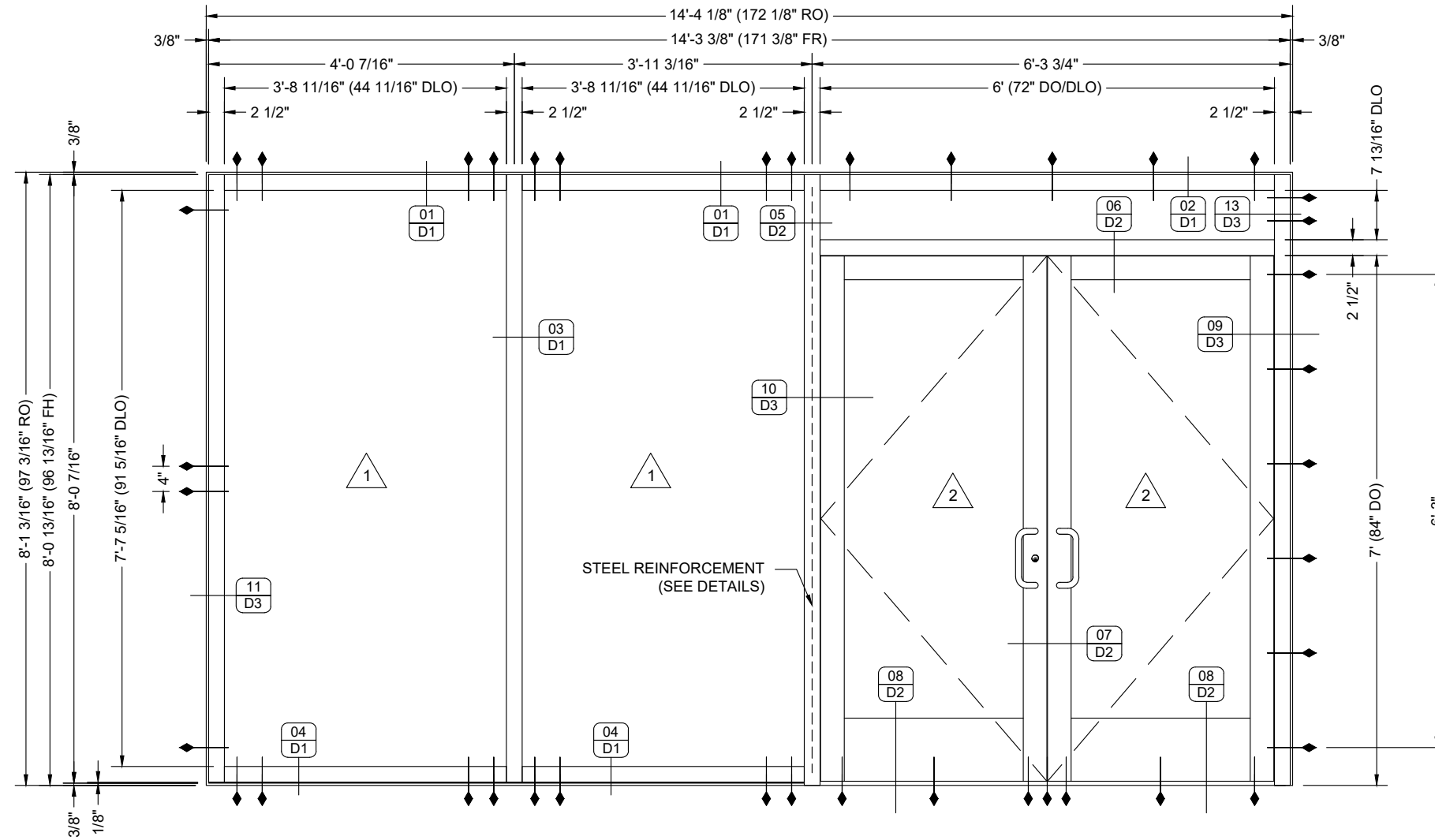
OLDCASTLE 5750 IMPACT ALUMINUM STOREFRONT

NO.	DATE	DESCRIPTION
4	09/07/22	Revisions to Add Relocate Door #300 on Elevation #3
3	08/22/22	Revisions to Add Relocate Door #300 on Elevation #3
2	08/11/22	Revisions to Add Door #400 to Elevation #4
1	08/09/22	First Submittal

AMERICAN GLASS MASTERS
 3810 APOLLO RD, CORPUS CHRISTI, TX 78413
 WORK (361) 814-6000 FAX (361) 814-0775

PROJECT: 5959 S STAPLES
NEW SHELL BUILDING
 ARCHITECT: ZACH M. KNIGHT JR., ARCH, PLAN, CONST
 (361) 853-8620
 GENERAL CONTRACTOR: ZACH M. KNIGHT
 (361) 778-6678

PROJECT NO. AGM-2206-03	
DRAWN BY: fp	DATE: 09/07/22
SCALE: 1/2" = 1'-0"	
DRAWING: ELEVATIONS	
SHEET: E2	



- HARDWARE**
 7284-J-HR (PUSH-PULL, KEY
 LOCK-THUMB TURN, BUTT HINGE) FR3
 7284-JFT-HR-OB PR
 3884-A-HR (PUSH-PULL, KEY
 LOCK-THUMB TURN, BUTT HINGE) FR1
 3684-AFT-HR-OB
 DOOR CLOSERS W/DROP PLATE 1604

ELEVATION

QUANTITY: 0#
 SCALE: 1/2" = 1'-0"
 ARCH REF: NFP/A-5
 EE2/A-6

3

EXT STOREFRONT

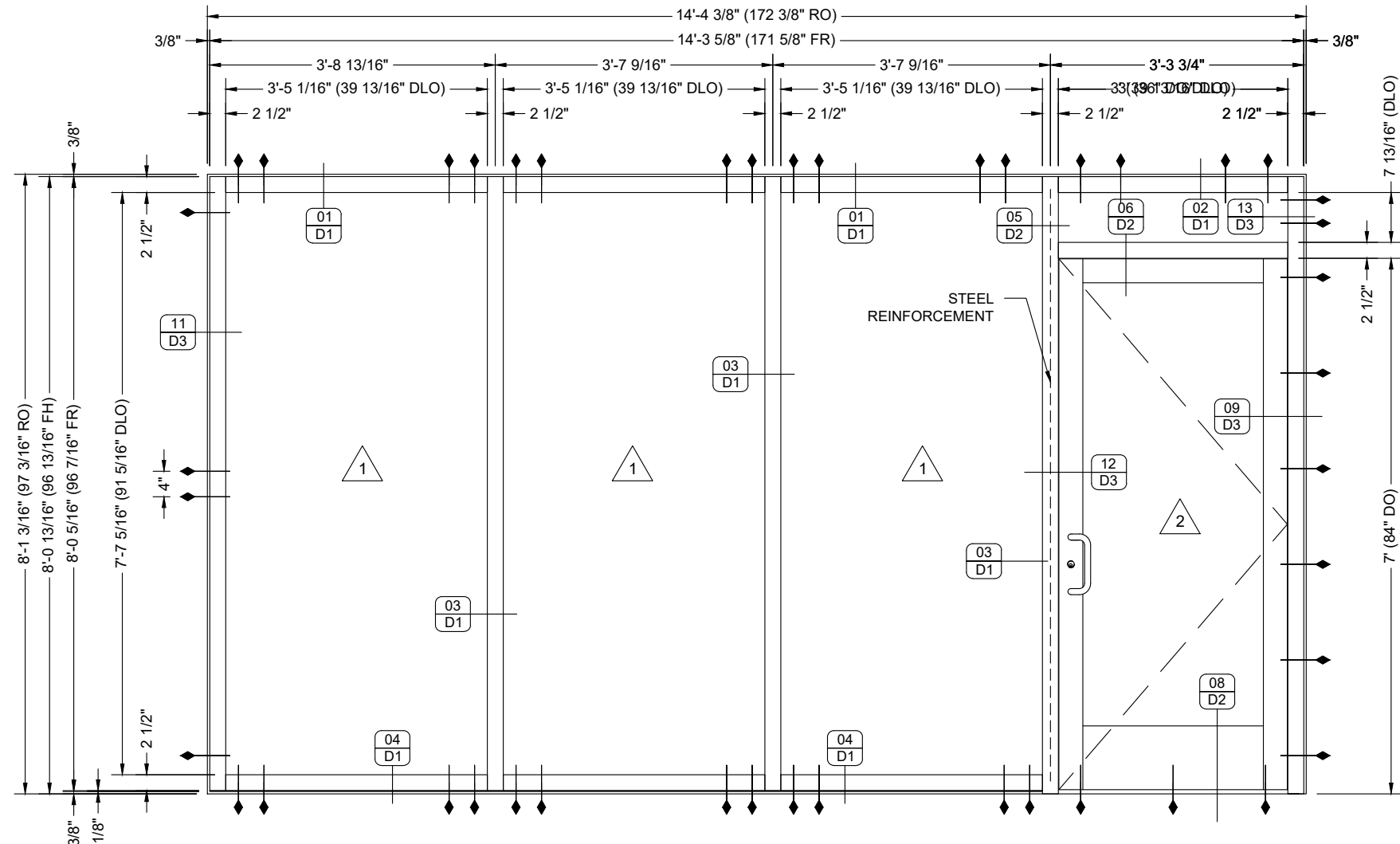
OLDCASTLE 5750 IMPACT ALUMINUM STOREFRONT
 OLDCASTLE MSD-375 IMPACT ALUMINUM ENTRANCE

NO.	DATE	DESCRIPTION
4	09/07/22	Revisions to Add Relocate Door #300 on Elevation #3
3	08/22/22	Revisions to Add Relocate Door #300 on Elevation #3
2	08/11/22	Revisions to Add Door #400 to Elevation #4
1	08/09/22	First Submittal

AMERICAN GLASS MASTERS
 3810 APOLLO RD, CORPUS CHRISTI, TX 78413
 WORK (361) 814-6000 FAX (361) 814-0775

PROJECT: 5959 S STAPLES
NEW SHELL BUILDING
 ARCHITECT: ZACH M. KNIGHT JR, ARCH, PLAN, CONST
 (361) 853-8620
 GENERAL CONTRACTOR: ZACH M. KNIGHT
 (361) 778-6678

PROJECT NO. AGM-2206-03	
DRAWN BY fp	DATE 09/07/22
SCALE 1/2" = 1'-0"	
DRAWING ELEVATIONS	
SHEET E3	



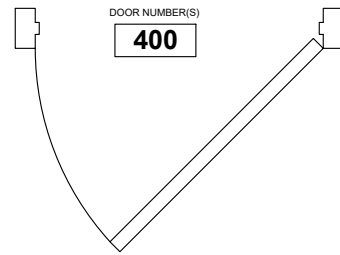
ELEVATION

QUANTITY: 0#
 SCALE: 1/2" = 1'-0"
 ARCH REF: NFP/A-5
 EE2/A-6



4 EXT STOREFRONT

OLDCASTLE 5750 IMPACT ALUMINUM STOREFRONT



DOOR NUMBER(S)
400

HARDWARE

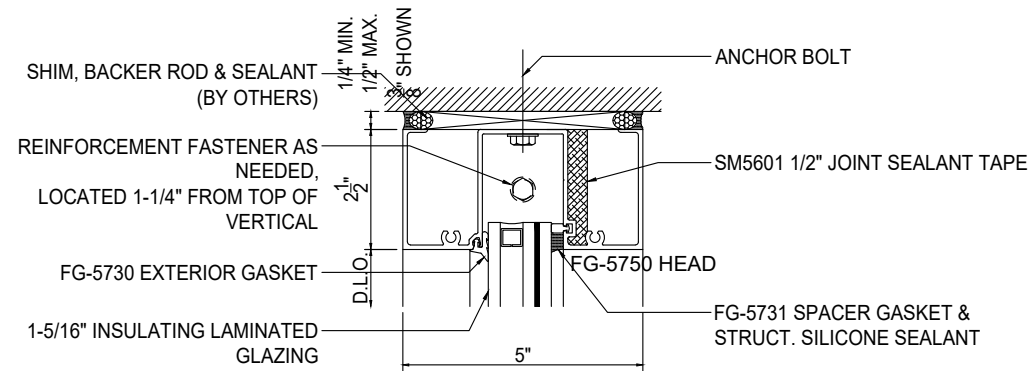
- 7284-J-HR (PUSH-PULL, KEY)
- LOCK-THUMB TURN, BUTT HINGE) FR3
- 7284-JFT-HR-OB PR
- 3884-A-HR (PUSH-PULL, KEY)
- LOCK-THUMB TURN, BUTT HINGE) FR1
- 3684-AFT-HR-OB
- DOOR CLOSERS W/DROP PLATE 1604

NO.	DATE	BY	DESCRIPTION
4	09/07/22	fp	Revisions to Add Relocate Door #300 on Elevation #3
3	08/22/22	fp	Revisions to Add Relocate Door #300 on Elevation #3
2	08/11/22	fp	Revisions to Add Door #400 to Elevation #4
1	08/09/22	fp	First Submittal

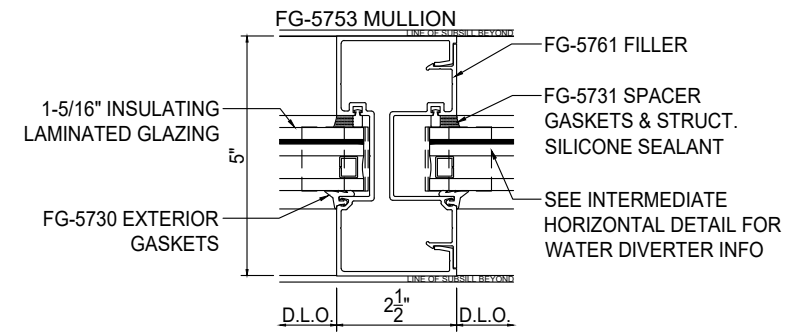
AMERICAN GLASS MASTERS
 3810 APOLLO RD, CORPUS CHRISTI, TX 78413
 WORK (361) 814-6000 FAX (361) 814-0775

PROJECT: 5959 S STAPLES
NEW SHELL BUILDING
 ARCHITECT: ZACH M. KNIGHT JR., ARCH, PLAN, CONST
 (361) 653-8620
 GENERAL CONTRACTOR: ZACH M. KNIGHT
 (361) 778-6678

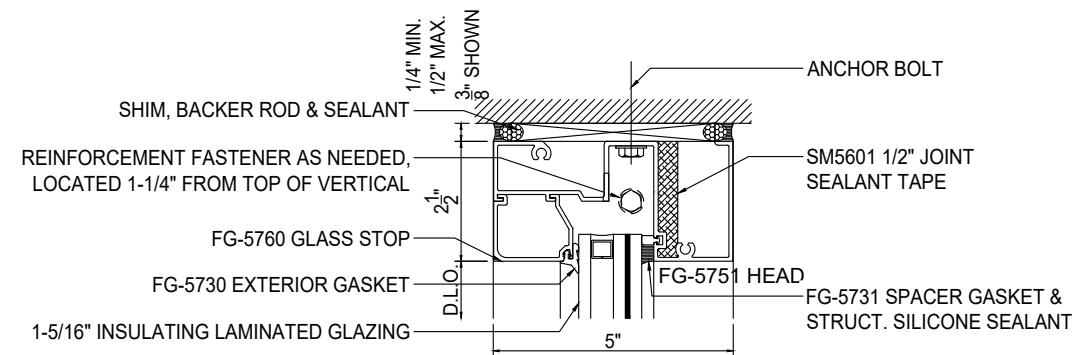
PROJECT NO. AGM-2206-03	
DRAWN BY fp	DATE 09/07/22
SCALE 1/2" = 1'-0"	
DRAWING ELEVATIONS	
SHEET E4	



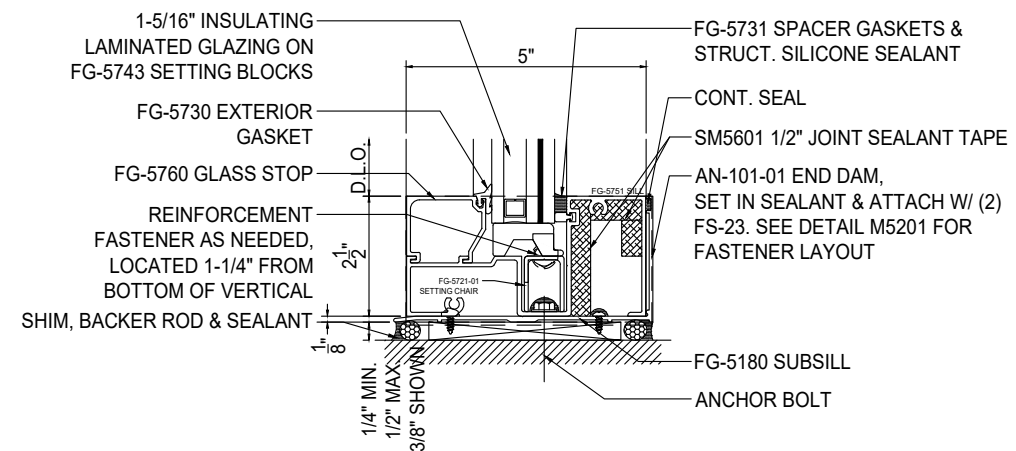
DETAIL 01 HEAD
 SCALE: 3" = 1'-0"
 ARCH REF: N/A
 OLDCASTLE 5750 ALUMINUM STOREFRONT



DETAIL 03 VERTICAL
 SCALE: 3" = 1'-0"
 ARCH REF: N/A
 OLDCASTLE 5750 ALUMINUM STOREFRONT



DETAIL 02 TRANSOM HEAD
 SCALE: 3" = 1'-0"
 ARCH REF: N/A
 OLDCASTLE 5750 ALUMINUM STOREFRONT



DETAIL 04 SILL
 SCALE: 3" = 1'-0"
 ARCH REF: N/A
 OLDCASTLE 5750 ALUMINUM STOREFRONT

NO.	DATE	DESCRIPTION
4	09/07/22	Revisions to Add Relocate Door #300 on Elevation #3
3	08/22/22	Revisions to Add Relocate Door #300 on Elevation #3
2	08/11/22	Revisions to Add Door #400 to Elevation #4
1	08/09/22	First Submittal

AMERICAN GLASS MASTERS
 3810 APOLLO RD, CORPUS CHRISTI, TX 78413
 WORK (361) 814-6000 FAX (361) 814-0775

PROJECT: 5959 S STAPLES
NEW SHELL BUILDING
 ARCHITECT: ZACH M. KNIGHT JR., ARCH. PLAN, CONST
 (361) 953-8620
 GENERAL CONTRACTOR: ZACH M. KNIGHT
 (361) 778-6678

PROJECT NO.	AGM-2206-03
DRAWN BY	fp
DATE	09/07/22
SCALE	3" = 1'-0"
DRAWING	DETAILS
SHEET	D1